

KR 2405 HDTV ANTI-ALIASING FILTER

General Description

KR 2405 is a HDTV anti-aliasing filter. The filter has a 15 MHz passband and group delay equalization. Other passband frequencies are available. Please consult the factory.

Features

- Anti-Aliasing filter
- Elliptic response
- Group delay equalization
- 75 Ω

Typical Performance

Passband Amplitude & Group Delay
(0.2 dB/div & 4 nsec/div)

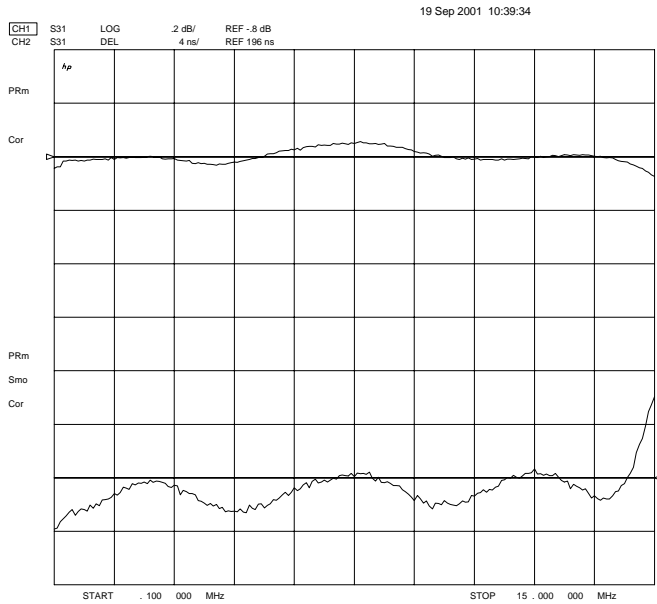


Figure 1

Overall Response
(10 dB/div)

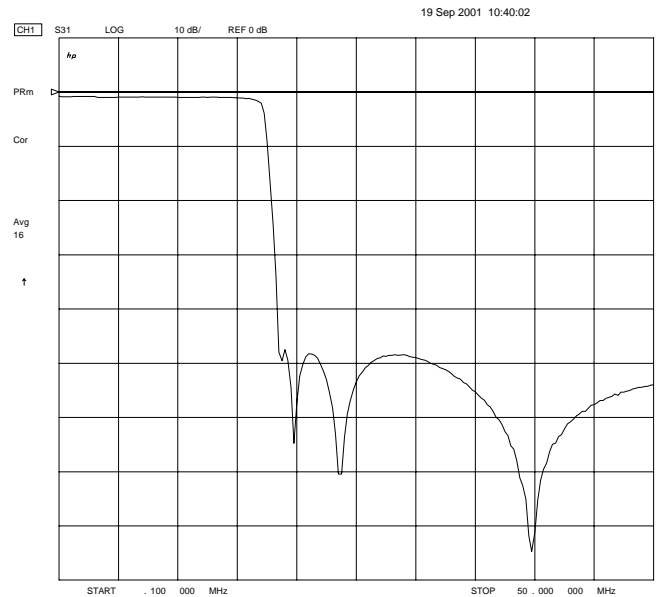


Figure 2

KR Electronics, Inc.
91 Avenel Street
Avenel, NJ 07001

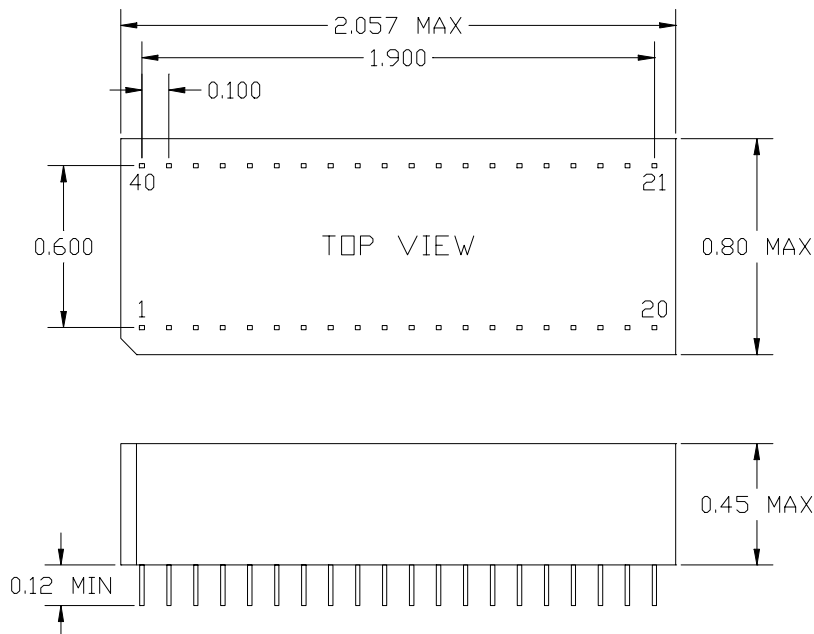
Web www.krfilters.com
Email sales@krfilters.com
Phone (732) 636-1900
Fax (732) 636-1982

KR 2405 HDTV Filter

Specifications

Parameter	Specification
Filter type	Lowpass
Insertion Loss	< 1.5 dB
Passband Ripple to 10 MHz	< ± 0.1 dB
Passband Ripple to 15 MHz	< ± 0.2 dB
Group Delay Ripple to 10 MHz	< ± 4 nsec
Group Delay Ripple to 15 MHz	< ± 6 nsec
Start of Stopband	18.5625 MHz
Stopband Attenuation	> 40 dB
Source & Load	75 Ω

Physical Dimensions



NOTES:
 PIN 1 = INPUT
 PIN 20 = OUTPUT
 PIN 21 THRU 40 = GROUND
 PIN SIZE 0.018 × 0.016 IN